

Installation guide

# Circuit breaker

## CTI 25M-MB and CTI 45MB

047C3008

047C3008

- 1x1...4mm<sup>2</sup>
- 2x1...4mm<sup>2</sup>
- No.16...12 AWG
- 1x1...6mm<sup>2</sup>
- 2x1...6mm<sup>2</sup>
- No.16...10 AWG
- 9mm → 1x1.5...4mm<sup>2</sup>
- 2x1.5...4mm<sup>2</sup>
- No.16...10 AWG

Use 75°C Cu wire only


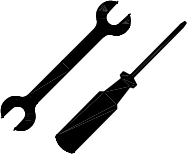

- 1.0...2.5 Nm
- 8.9...22 lb-in
- No.3
- Pozidriv No.2

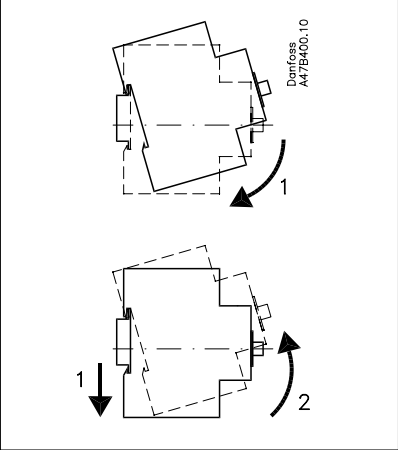
Danfoss A47B399.10

mm

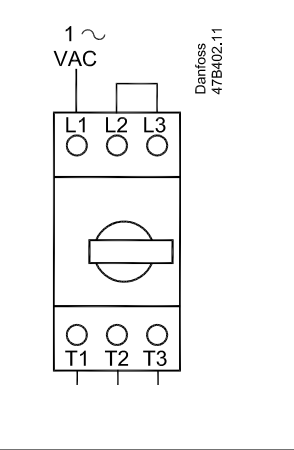
CTI 25M

CTI 25MB

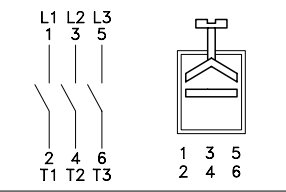






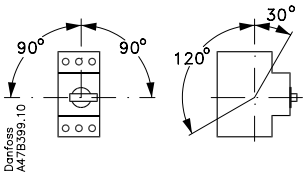
Danfoss  
A47B400.10



Danfoss  
47B402.11



DANFOSS  
A47B395.10



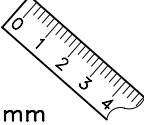
Danfoss  
A47B399.10

Use 75 °C Cu wire only

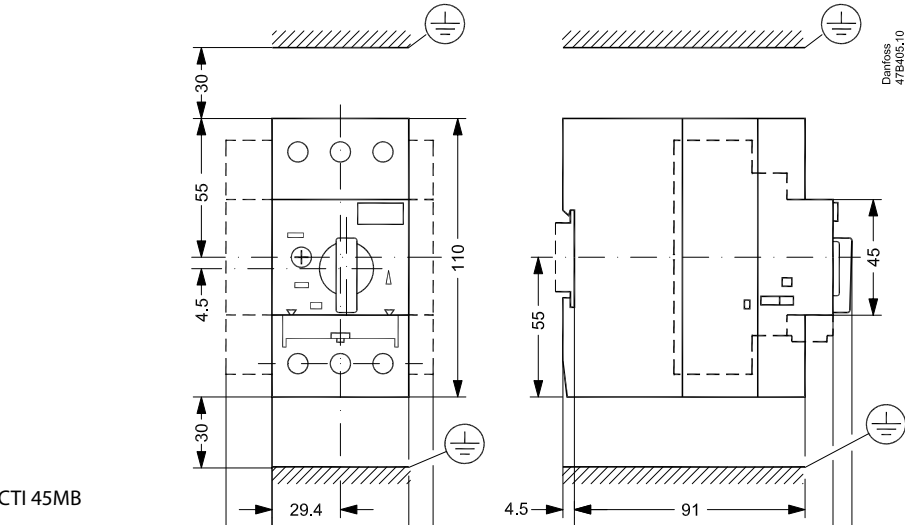
- 1x2.5...16mm<sup>2</sup>
- 2x2.5...10mm<sup>2</sup>
- No.14...8 AWG
- 1x2.5...25mm<sup>2</sup>
- 2x2.5...16mm<sup>2</sup>
- No.14...6 AWG
- 14mm → 1x2.5...25mm<sup>2</sup>
- 2x2.5...16mm<sup>2</sup>
- No.14...6 AWG

Torque: 1.5...4 Nm  
13.2...35 lb-in

Screw: No.3  
Pozidriv No.2




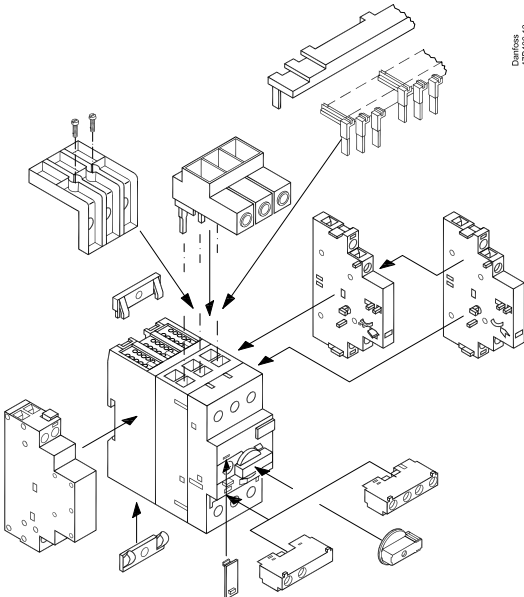
mm



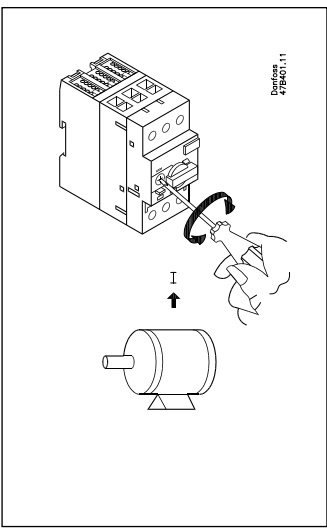
Danfoss  
47B405.10

CTI 45MB





Danfoss  
47B406.13



Danfoss  
47B401.11