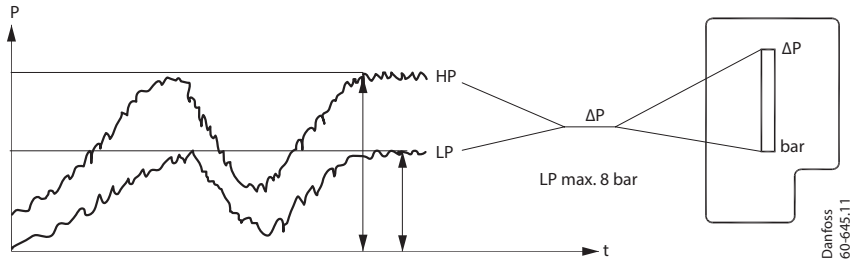
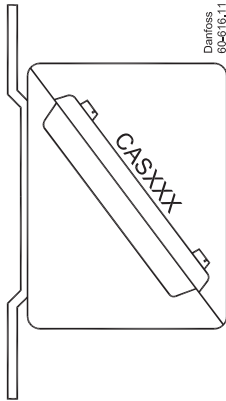


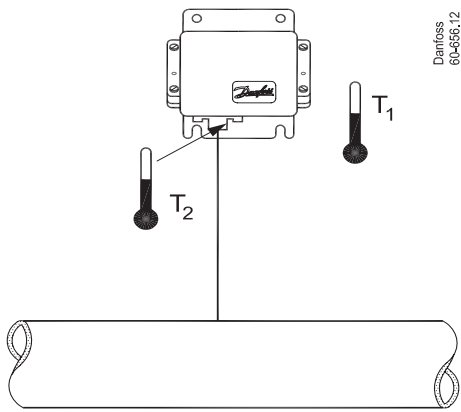
Installation guide

Differential pressure switch Type CAS 155

060R9303



060R9303



T_1 min.: -25 °C
 T_2 min.: -25 °C
 T_1 max.: 70 °C
 T_2 max.: 100 °C (For water and seawater, max. 80 °C)

